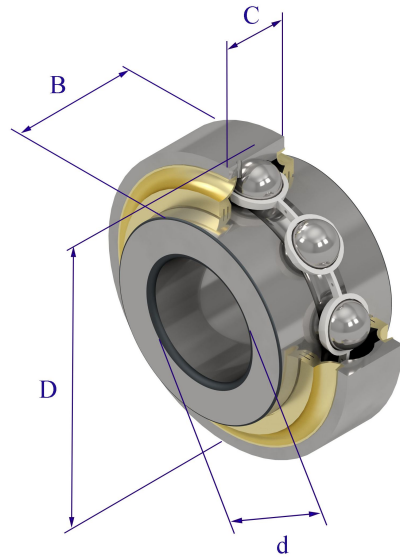


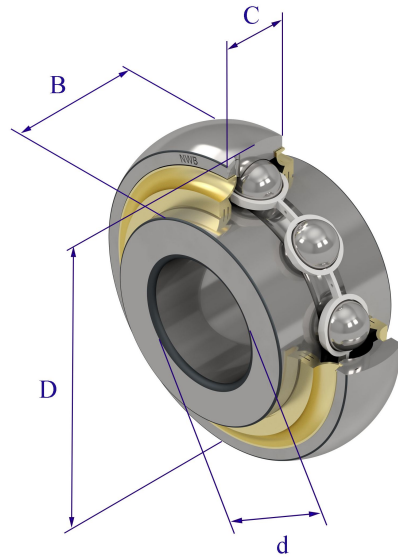
## Disc Harrow Bearings - Round Bore and Parallel Outer Ring



Item Code	d (mm)	D (mm)	B (mm)	C (mm)	No. of Seals	Greaseable Y/N	Bore Type	OD Type
NWB3045	13.081	40.000	18.288	12.000	1	N	Round	Parallel
NWB20037	13.081	40.000	18.288	12.000	3	N	Round	Parallel
202KRR2	15.000	35.000	14.400	11.000	3	N	Round	Parallel
NWB20685	15.000	40.000	11.000	18.000	1	N	Round	Parallel
NWB3046	15.900	40.000	12.700	12.700	1	N	Round	Parallel
NWB3050	15.900	45.225	15.494	15.494	1	N	Round	Parallel
NWB3051	15.951	50.800	15.000	15.000	1	N	Round	Parallel
NWB3049	16.000	47.000	17.272	13.970	3	N	Round	Parallel
NWB3059	16.000	52.000	34.925	15.000	3	N	Round	Parallel
NWB2157	16.000	53.086	19.400	18.288	3	N	Round	Parallel
NWB20081	16.000	60.000	23.000	23.000	1	N	Round	Parallel
NWB2209	16.053	45.225	18.669	15.494	3	N	Round	Parallel
NWB2242	16.250	40.000	44.000	39.000	3	N	Round	Parallel
NWB3044	16.256	39.878	18.288	11.938	3	N	Round	Parallel
NWB3052	16.256	47.000	18.288	12.000	1	N	Round	Parallel
NWB3043	17.000	40.000	14.000	12.000	3	N	Round	Parallel
NWB3048	19.050	45.225	15.494	15.494	3	N	Round	Parallel
NWB3057	19.050	51.816	21.082	14.986	3	N	Round	Parallel
NWB3058	19.050	51.816	34.798	14.986	3	N	Round	Parallel

Item Code	d (mm)	D (mm)	B (mm)	C (mm)	No. of Seals	Greaseable Y/N	Bore Type	OD Type
NWB3055	19.050	53.086	19.050	19.405	3	N	Round	Parallel
NWB3047	19.063	45.225	15.494	15.494	3	N	Round	Parallel
205KYY3	19.200	63.500	26.975	25.400	3	N	Round	Parallel
NWB3062	19.253	62.000	24.000	16.000	3	N	Round	Parallel
205KRR	25.000	52.000	21.000	15.000	2	N	Round	Parallel
NWB3063	25.146	62.000	22.225	18.000	3	N	Round	Parallel
NWB3070	30.150	62.000	50.000	37.000	3	N	Round	Parallel
GW209PP5	31.750	85.000	36.576	30.226	3	N	Round	Parallel
W208PPR	31.763	80.000	30.180	21.000	3	N	Round	Parallel
207KRR	35.000	72.000	25.000	17.000	1	N	Round	Parallel
NWB3068	38.113	80.000	42.863	21.000	3	N	Round	Parallel
W210PP8	38.862	90.000	30.175	30.175	3	N	Round	Parallel
NWB3113	45.212	100.000	44.450	33.274	3	Y	Round	Parallel
DF150-1.15/16	49.225	90.000	30.163	23.000	3	N	Round	Parallel
NWB3098	49.225	90.000	30.163	30.163	3	N	Round	Parallel
NWB20712	50.000	90.000	32.000	20.000	3	N	Round - Tapered	Parallel
NWB3105	55.578	100.000	33.340	33.340	3	N	Round	Parallel
NWB3107	55.578	100.000	33.340	33.340	3	Y	Round	Parallel
NWB20105	60.000	110.000	42.000	37.000	3	N	Round	Parallel
NWB3121	70.000	125.000	39.675	39.675	3	N	Round	Parallel
NWB3123	70.000	125.000	39.700	39.700	3	Y	Round	Parallel

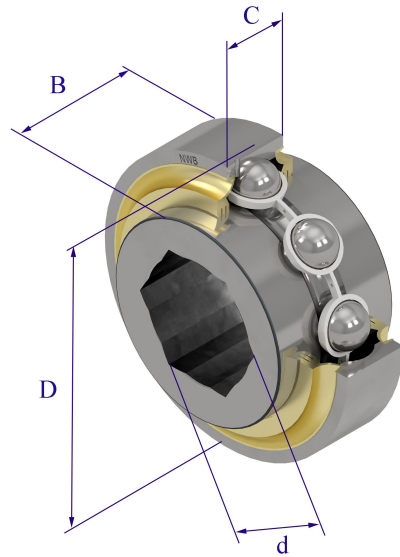
## Disc Harrow Bearings - Round Bore and Spherical Outer Ring



Item Code	d (mm)	D (mm)	B (mm)	C (mm)	No. of Seals	Greaseable Y/N	Bore Type	OD Type
NWB20668	12.700	38.200	15.900	15.900	2	N	Round	Spherical
NWB20156	20.000	56.000	30.000	30.000	2	N	Round	Spherical
NWB3053	23.622	51.816	34.798	14.986	3	N	Round	Spherical
NWB20690	30.000	62.000	26.000	18.000	3	N	Round	Spherical
NWB3071	30.176	80.000	30.163	18.000	3	N	Round	Spherical
DNF140-1.1/4	31.763	80.000	30.163	21.000	3	N	Round	Spherical
PDNF140-1.1/4	31.763	80.000	30.163	30.180	3	N	Round	Spherical
PDNF140-1.1/2	38.113	80.000	30.163	30.163	3	N	Round	Spherical
36/DNF140-1.1/2	38.113	80.000	42.863	21.000	3	N	Round	Spherical
NWB3067	38.113	80.000	42.863	30.163	3	N	Round	Spherical
NWB3069	38.113	80.000	42.875	21.000	3	N	Round	Spherical
NWB3072	38.113	80.000	42.875	30.175	3	N	Round	Spherical
NWB3090	38.990	85.000	30.163	30.163	3	N	Round	Spherical
NWB3094	38.990	85.000	30.163	30.163	3	Y	Round	Spherical
NWB2707	40.000	80.000	30.163	21.000	3	Y	Round	Spherical
DNF145-45	45.000	85.000	30.163	22.000	3	N	Round	Spherical
NWB3083	45.000	85.000	30.163	30.163	3	N	Round	Spherical
NWB3085	45.000	85.000	30.163	30.163	3	N	Round	Spherical
3209-NPPBAH02	45.000	90.000	30.200	30.200	1	N	Round	Spherical

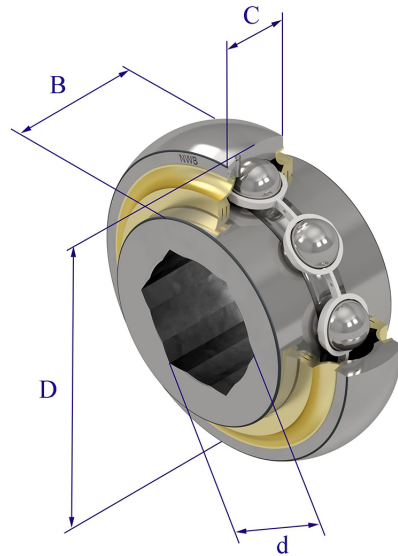
Item Code	d (mm)	D (mm)	B (mm)	C (mm)	No. of Seals	Greaseable Y/N	Bore Type	OD Type
NWB3086	45.160	85.000	36.513	22.000	1	N	Round	Spherical
W209PPB11	45.240	85.000	36.513	22.000	3	N	Round	Spherical
GW209PPB13	45.240	85.000	36.513	30.180	3	Y	Round	Spherical
NWB3100	45.340	90.000	30.163	30.163	3	N	Round	Spherical
NWB3101	45.340	90.000	30.200	30.200	3	Y	Round	Spherical
NWB3109	45.340	100.000	33.325	25.000	3	Y	Round	Spherical
DNF150-1.15/16	49.225	90.000	30.163	23.000	3	N	Round	Spherical
NWB3099	49.225	90.000	30.163	30.163	3	Y	Round	Spherical
W210PPB2	49.225	90.000	30.163	30.163	3	N	Round	Spherical
NWB3110	49.225	100.000	33.300	33.300	3	Y	Round	Spherical
NWB3127	49.225	125.000	39.675	39.675	3	Y	Round	Spherical
W210PPB9	49.400	90.000	36.513	23.000	3	N	Round	Spherical
DNF150-50	50.000	90.000	30.163	23.000	3	N	Round	Spherical
NWB50	50.000	100.000	33.340	25.000	3	Y	Round	Spherical
GW211PPB20	55.562	100.000	46.000	33.375	3	Y	Round	Spherical
W211PPB4	55.575	100.000	55.500	33.325	3	N	Round	Spherical
DNF155-2.3/16	55.578	100.000	33.340	25.000	3	N	Round	Spherical
NWB3106	55.578	100.000	33.340	33.340	3	N	Round	Spherical
NWB3108	55.578	100.000	33.340	33.340	3	Y	Round	Spherical
GW211PPB9	55.753	100.000	39.675	25.000	3	Y	Round	Spherical
NWB3126	68.280	125.000	68.260	28.000	3	Y	Round	Spherical
NWB3122	70.000	125.000	39.675	39.675	3	N	Round	Spherical
NWB3124	70.000	125.000	39.700	39.700	3	Y	Round	Spherical
NWB3125	70.000	125.000	61.920	39.670	3	Y	Round	Spherical
NWB3120	70.256	125.000	44.450	28.000	3	N	Round	Spherical
W211PPB9	100.000	55.750	39.690	25.000	3	N	Round	Spherical

## Disc Harrow Bearings - Hexagonal Bore and Parallel Outer Ring



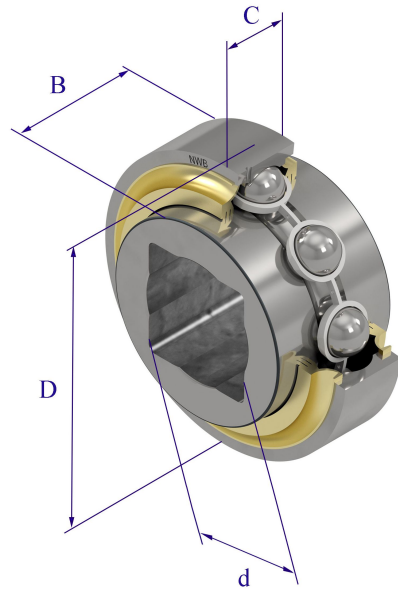
Item Code	d (mm)	D (mm)	B (mm)	C (mm)	No. of Seals	Greaseable Y/N	Bore Type	OD Type
204KRR2	17.653	47.000	20.960	14.000	1	N	Hexagonal	Parallel
NWB3060	22.225	52.000	25.400	15.000	3	N	Hexagonal	Parallel
NWB3224	23.000	52.000	28.000	15.000	1	N	Hexagonal	Parallel
206KPP2	25.425	62.000	24.000	16.000	3	N	Hexagonal	Parallel
206KRR6	25.425	62.000	24.000	16.000	3	N	Hexagonal	Parallel
NWB3223	31.750	80.000	36.513	18.000	3	N	Hexagonal	Parallel
NWB3284	32.800	72.000	17.000	17.000	3	N	Hexagonal	Parallel

## Disc Harrow Bearings - Hexagonal Bore and Spherical Outer Ring



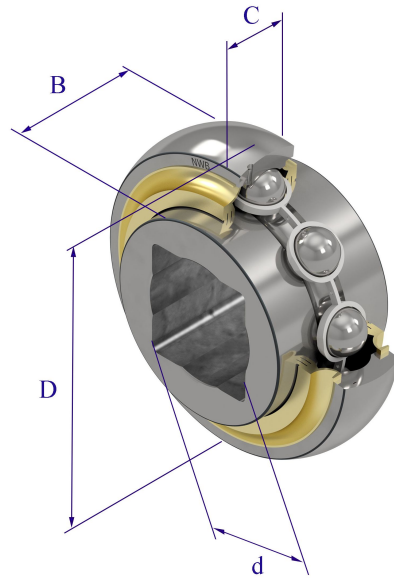
Item Code	d (mm)	D (mm)	B (mm)	C (mm)	No. of Seals	Greaseable Y/N	Bore Type	OD Type
NWB3056	17.653	47.000	20.960	14.000	1	N	Hexagonal	Spherical
NWB3061	22.225	52.000	25.400	15.000	3	N	Hexagonal	Spherical
NWB3064	25.425	62.000	24.000	16.000	3	N	Hexagonal	Spherical
NWB3065	28.575	72.000	25.000	17.000	1	N	Hexagonal	Spherical
NWB3066	28.575	72.000	37.700	17.000	3	N	Hexagonal	Spherical
G207KPPB2	28.575	72.000	37.700	19.000	3	Y	Hexagonal	Spherical
NWB3148	31.750	72.000	37.700	17.000	3	N	Hexagonal	Spherical
W208PPB16	31.750	80.000	36.513	18.000	3	N	Hexagonal	Spherical
GW208KRRB5	31.750	80.000	36.513	21.000	3	Y	Hexagonal	Spherical
GW208PPB22	31.877	80.000	36.513	21.000	3	Y	Hexagonal	Spherical
NWB3073	34.925	80.000	36.513	20.900	3	N	Hexagonal	Spherical
NWB3082	38.100	85.000	30.000	19.000	1	N	Hexagonal	Spherical
G209KPPB2	38.100	85.000	30.000	19.000	3	Y	Hexagonal	Spherical
NWB3097	38.100	90.000	30.000	22.000	3	Y	Hexagonal	Spherical
SK108-210-KRR-B-AH01	38.100	90.000	32.000	22.000	3	N	Hexagonal	Spherical
GC21132NLC	44.450	100.000	57.150	25.000	3	Y	Hexagonal	Spherical

## Disc Harrow Bearings - Square Bore and Parallel Outer Ring



Item Code	d (mm)	D (mm)	B (mm)	C (mm)	No. of Seals	Greaseable Y/N	Bore Type	OD Type
DF140/8	26.300	80.000	30.163	21.000	3	N	Square	Parallel
NWB3075	26.300	80.000	36.513	18.000	3	N	Square	Parallel
DF240/8	26.300	80.000	36.513	21.000	3	N	Square	Parallel
W208PP9	26.300	80.000	36.513	30.162	3	N	Square	Parallel
NWB3201	29.440	80.000	30.163	21.000	3	N	Square	Parallel
W208PP5	29.440	80.000	36.513	18.000	3	N	Square	Parallel
NWB3078	29.440	80.000	36.513	30.163	3	N	Square	Parallel
NWB3088	29.440	85.738	30.175	36.525	3	N	Square	Parallel
NWB3102	29.440	90.000	30.163	30.163	3	N	Square	Parallel
NWB3103	29.440	90.000	30.163	30.163	3	Y	Square	Parallel
PDF245/10	32.950	85.000	36.513	30.163	3	N	Square	Parallel
NWB3111	39.120	100.000	33.340	33.340	3	Y	Square	Parallel
W211PP3	39.120	100.000	33.340	33.340	3	N	Square	Parallel
NWB3116	39.120	100.000	38.888	33.340	3	Y	Square	Parallel
PDF155/12A	41.200	100.000	33.340	33.340	3	N	Square	Parallel

## Disc Harrow Bearings - Square Bore and Spherical Outer Ring



Item Code	d (mm)	D (mm)	B (mm)	C (mm)	No. of Seals	Greaseable Y/N	Bore Type	OD Type
NWB3091	22.225	85.000	30.163	30.163	3	N	Square	Spherical
NWB3084	23.090	80.000	36.513	18.000	3	N	Square	Spherical
PDNF240/7	23.090	80.000	36.513	30.163	3	N	Square	Spherical
DNF140/8	26.300	80.000	30.163	21.000	3	N	Square	Spherical
NWB3077	26.300	80.000	36.513	18.000	3	Y	Square	Spherical
W208PPB6	26.300	80.000	36.513	18.000	3	N	Square	Spherical
DNF240/8	26.300	80.000	36.513	21.000	3	N	Square	Spherical
NWB3080	26.300	80.000	36.513	30.163	3	N	Square	Spherical
NWB3089	28.575	85.738	30.163	36.525	3	N	Square	Spherical
NWB3087	28.575	85.750	36.513	30.163	3	N	Square	Spherical
DNF140/9	29.440	80.000	30.163	21.000	3	Y	Square	Spherical
NWB3074	29.440	80.000	36.513	18.000	3	N	Square	Spherical
DNF240/9	29.440	80.000	36.513	21.000	3	N	Square	Spherical
NWB3076	29.440	80.000	36.513	24.000	3	Y	Square	Spherical
NWB3079	29.440	80.000	36.513	30.163	3	N	Square	Spherical
NWB3081	29.440	80.000	36.513	30.163	3	Y	Square	Spherical
PDNF145/9	29.440	85.000	30.163	30.163	3	N	Square	Spherical
PDNF245/9	29.440	85.000	36.513	30.163	3	N	Square	Spherical
NWB3104	29.440	90.000	30.163	30.163	3	Y	Square	Spherical



Item Code	d (mm)	D (mm)	B (mm)	C (mm)	No. of Seals	Greaseable Y/N	Bore Type	OD Type
W210PPB4	29.440	90.000	30.163	30.163	3	N	Square	Spherical
W210PPB6	29.440	90.000	36.513	30.163	3	N	Square	Spherical
DNF240/9A	30.940	80.000	36.513	21.000	3	N	Square	Spherical
DNF145/9A	30.940	85.000	30.163	22.000	3	N	Square	Spherical
DF245/9A	30.940	85.000	36.513	22.000	3	N	Square	Spherical
NWB3093	32.766	85.750	36.513	30.163	3	N	Square	Spherical
DNF145/10	32.950	85.000	30.163	22.000	3	N	Square	Spherical
NWB3096	32.950	85.000	36.513	22.000	3	Y	Square	Spherical
W209PPB8	32.950	85.000	36.513	22.000	3	N	Square	Spherical
NWB3092	32.950	85.000	36.513	30.163	3	N	Square	Spherical
NWB3095	32.950	85.000	36.513	30.163	3	Y	Square	Spherical
DNF155/10	32.950	100.000	33.340	25.000	3	N	Square	Spherical
GW209PPB17	38.890	100.000	44.450	33.330	3	Y	Square	Spherical
DNF155/12	39.120	100.000	33.340	25.000	3	N	Square	Spherical
NWB3112	39.120	100.000	33.340	33.340	3	Y	Square	Spherical
W211PPB3	39.120	100.000	33.340	33.340	3	N	Square	Spherical
NWB3114	39.120	100.000	44.450	33.340	3	Y	Square	Spherical
NWB3117	39.120	101.600	44.450	26.525	3	N	Square	Spherical
NWB3118	39.120	101.600	44.450	26.525	3	Y	Square	Spherical
NWB3119	39.120	103.560	44.450	36.525	3	N	Square	Spherical
DNF155/12A	41.200	100.000	33.340	25.000	3	N	Square	Spherical
GW214PPB4	52.220	125.000	39.675	39.675	3	Y	Square	Spherical